



# MLC TECHNOLOGY

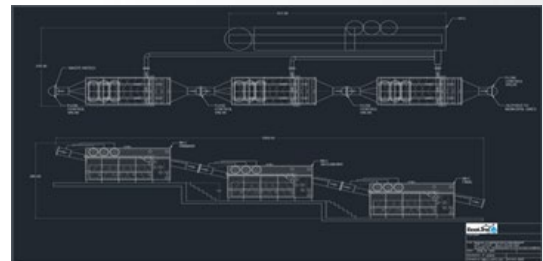
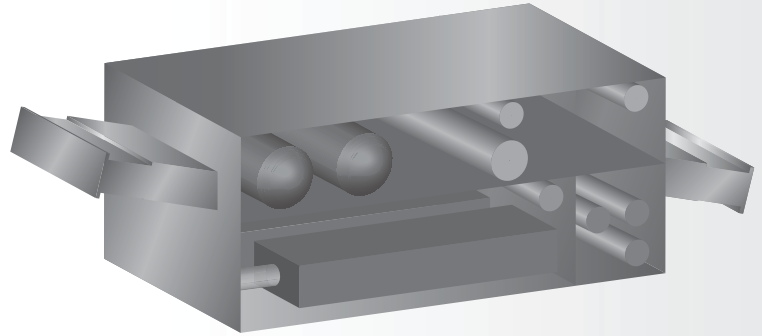
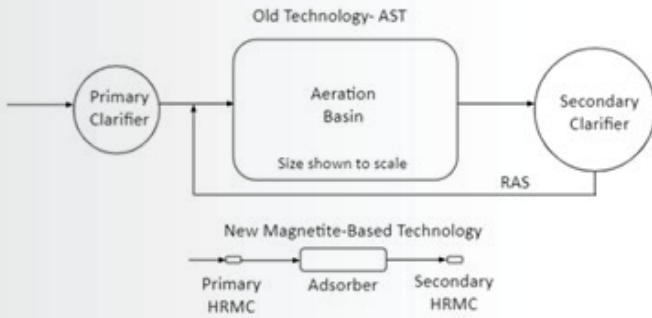


## DESCRIPTION

Our Magnetic Linx System is a high-speed magnetic clarification system that removes suspended solids from water. Our technology uses ballast clarification which is attaching fine particles attached to a heavy material called magnetite along with a flocculating polymer. The flocculant is then removed with our patented technology at a rate that requires 1% of the time of traditional wastewater systems.

## FOOTPRINT

### Activated Sludge Technology (AST) vs. Our HRMC Technology (15 MGD WWTP)



## BENEFITS OVER OTHER TECHNOLOGIES

Overcomes limitations of ALL other wastewater treatment systems

- Relieves land restrictions
- Low overall capital costs
  - Logical phased approach to new system implementation
  - Extends lifecycle of current systems
- Low operation costs
- Limited Maintenance required

Modular Units: Fixed or Mobile

- "Plug and Play" solution exceeds capacity of all other systems
- System mobility will address new or legacy pollution sources
- Equipment customized to current and future water flow rates.

Resource Recovery Options

- Removes the financial and environmental burden of sludge disposal
- Modular system facilitates sequential perception of heavy metals and inorganics in TSS

## COMPARISON

Comparisons	RECLAIM Water MLC	Microfiltration	Clarifier/Sand Filter	Ion Exchange
Capital Costs	Medium	High	Medium	High
Operating Costs	Low	High	Low	Medium
Size	Small	Large	Large	Medium
Reliability	High	Medium	Medium	High
Fouling	Low	High	Medium	High
Solids Limits	High	High	Low	Low
Pumping	Low	High	Low	Medium
Cleaning	Low	High	Medium	Medium
Power Use	Low	High	Low	Low
Absolute Filtration	No	Yes	No	No
Flow Drop-off	No	Yes	Yes	Yes
Pressure Drop	Low	High	Medium	Medium
Sludge Volume	Low	Low	Medium	Medium

## SIZES

Equipment Model Number	Flow Rate in Gallons per Day
01-0105-01	144,000 to 720,000
01-0510-01	720,000 to 1,440,000
01-1020-01	1,440,000 to 2,880,000
01-3060-01	4,320,000 to 8,640,000