

360 WIDE AREA ELECTROSTATIC CART SPRAYER

PROTECT X PROBOT

ELECTROSTATIC TECHNOLOGY (ULV SPRAYER)

An affordable applicator, the **ProtectX ProBot** utilizes proven electrostatic technology to charge each droplet to provide effective application of liquid (sanitizing and disinfectant) formulations. The droplets stay separated due to the charged nature allowing uniform, even coverage on entire target surface every time.

WATER-BASED DISINFECTANT APPLICATIONS

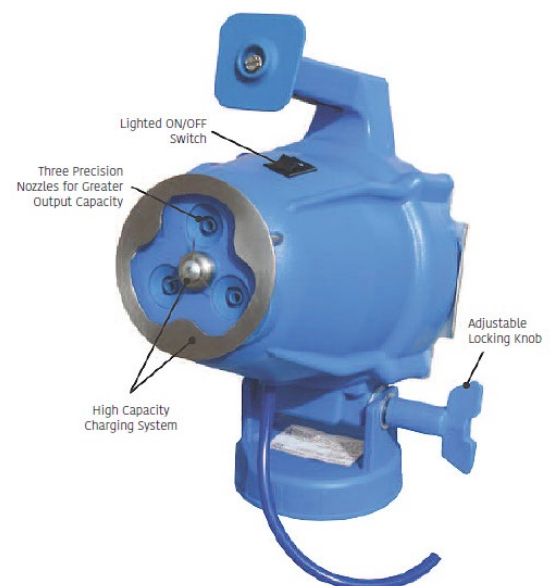
The **ProtectX ProBot** is ideal for use in spraying commercial and retail areas such as stores, medical and dental practices, hotels (rooms), schools, daycares, offices, warehouses, meeting rooms and high traffic hallways. Also excellent for disinfecting hard to reach areas in and around transportation (taxis, buses, trains, aircraft, etc.). Can also be used for controlled humidification.

- Precision flow rate and droplet control
- Uniform and consistent coverage
- Pivoting adjustable head for precise directional spraying
- Complete, consistent coverage up to 2,100 sq ft
- 360° degree rotating turntable base
- Timer operation settings for 2, 5, 10 and 15 minutes with manual stop
- Heavy-duty wheeled utility cart with locking wheels
- Removable 5-gallon reservoir pail



SPECIFICATIONS

Spray head	Tri-nozzle, electrostatic spray
Fluid flow rate	9.5 oz/min (281 ml/min)
Particle size	40-50 microns (VMD)
Tank capacity	5 gallon (18.927 li)
Maximum spray distance	8-12 ft (2.44-3.66 meters)
Head / turntable dimensions	11.5 in x 10 in x 22 in (29.2 cm x 25.4 cm x 55.9 cm)
Cart dimensions	29 in x 19 in x 48 in (74 cm x 48 cm x 122 cm)
Weight (empty)	7.5 lbs (3.4 kg) / 40 lbs (18.14 kg) with cart
Timer settings	2:00, 5:00, 10:00, and 15:00 minutes
Turntable Rotation / Speed	360° degree / 2.6 rpm
Electrical	110/120 VAC, 7.0 Amps, 50/60 Hz



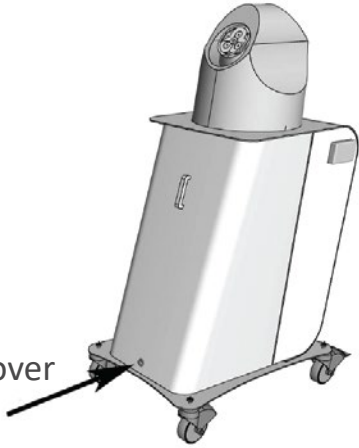
1-800-506-9095
+1 (678) 331-5548



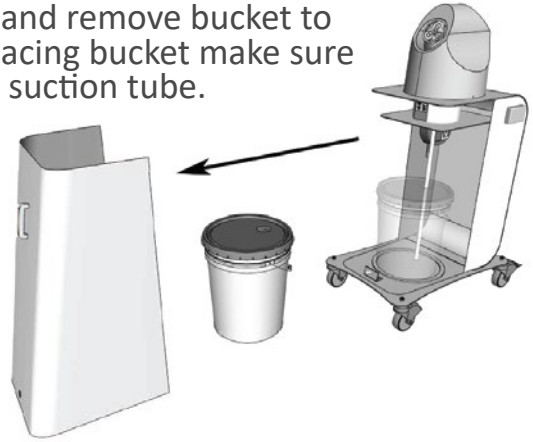
info@protectxpro.com
www.ProtectXPro.com

QUICKSTART GUIDE

1. Depress cover button



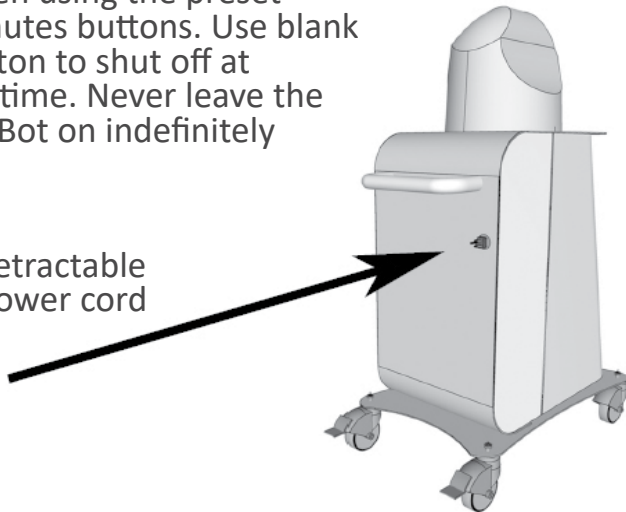
2. Pull off cover and remove bucket to fill. When replacing bucket make sure to align top to suction tube.



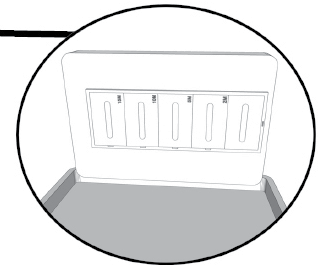
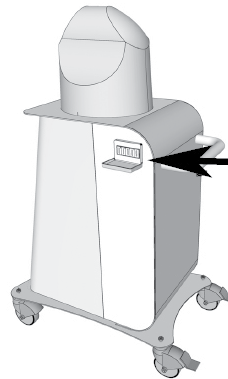
The ProBot will automatically shut off when using the preset minutes buttons. Use blank button to shut off at anytime. Never leave the ProBot on indefinitely

3. Place all parts back in reverse order and slide cover back into position. Cover button will click when properly seated back.

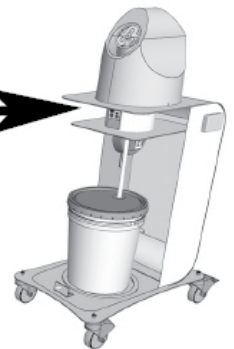
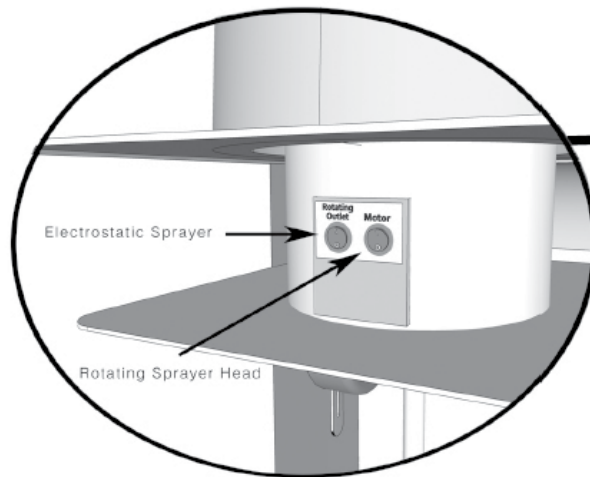
4. Retractable power cord



5. Blank button for On/Off. Use 2,5,10, & 15 minute buttons for automatic count-down and shut off



6. Use "Rotating Sprayer Head" button for fixed positions.



1-800-506-9095
+1 (678) 331-5548



info@protectxpro.com
www.ProtectXPro.com